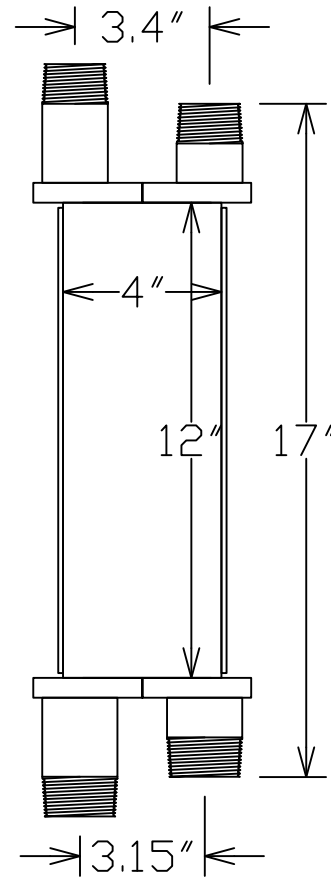
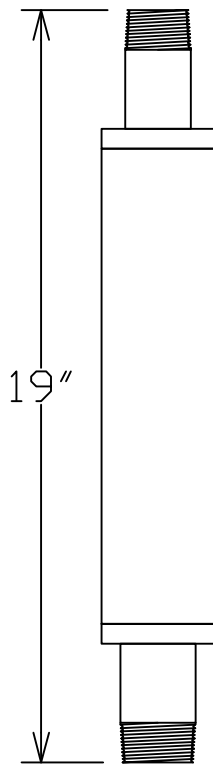
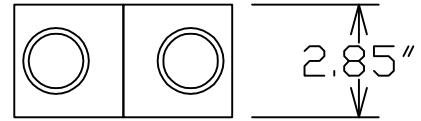


CONSTRUCTION NOTES:

A) MATERIALS ARE ALL WELDED 316L STAINLESS STEEL

B) HEAT TRANSFER AREA IS APPROXIMATELY 7.5 SQUARE FEET

C) CONNECTION PORTS ARE 2 OF 1 1/4" NPT AND 2 OF 1 1/2" NPT



Carlson
HEAT EXCHANGER

MODEL:
7.5 C

<http://CarlsonHX.com>
Copyright 2011
Carlson Heat Exchanger