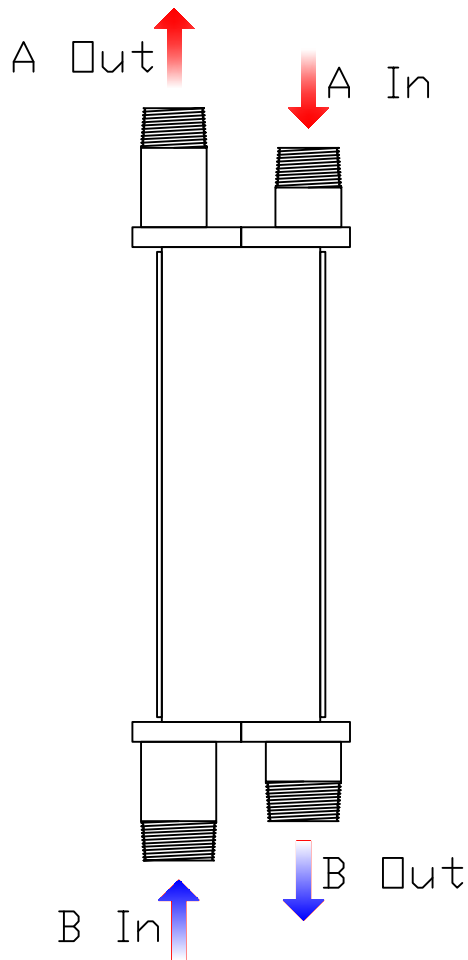
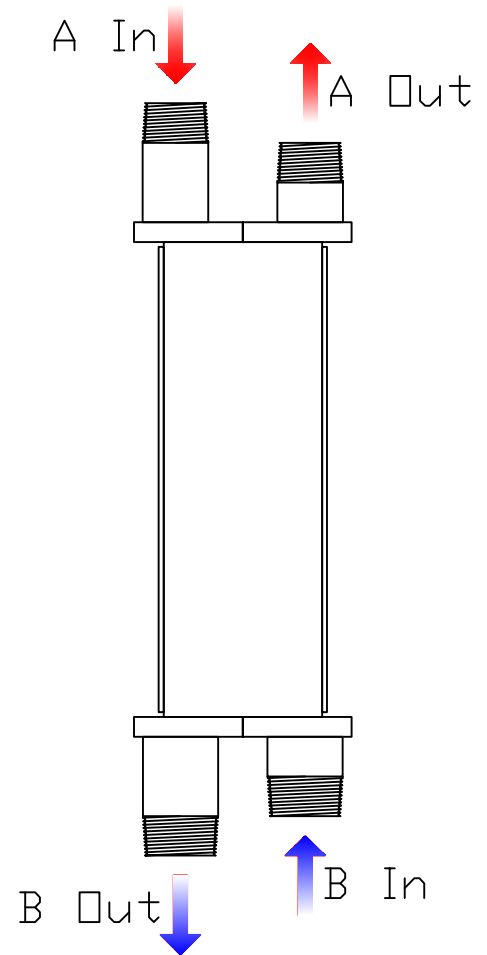


PLUMB HEAT EXCHANGERS FOR COUNTERFLOW FOR THE MOST EFFICIENT HEAT TRANSFER:

AS PICTURED HERE:



OR AS PICTURED HERE:



NOTES:

1) When dissimilar metals are plumbed to the heat exchanger, it is recommended that dielectric unions be used to reduce galvanic corrosion.

2) In any application where the heat exchanger is plumbed to any quick acting valve or valves (dishwasher, sprayer or spray system, faucets, showers, ball cocks, etc.), long straight runs of pipe should be avoided, and an appropriately sized water hammer arrestor is required as close to the valve(s) as possible.

3) Pressure drop tests were done in a flat horizontal orientation for all units. The channel volume must be taken into account when units are plumbed in a vertical position. Please refer to the performance and pressure drop information.

Carlson
HEAT EXCHANGER

MODEL:
7.5, 10.0 C
INSTALLATION INFO

<http://CarlsonHX.com>
Copyright 2011
Carlson Heat Exchanger